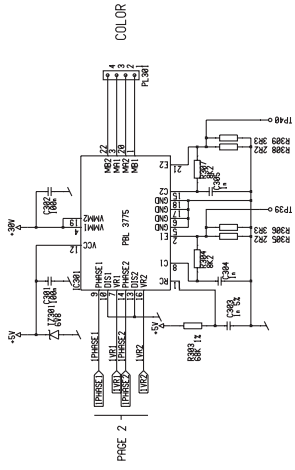
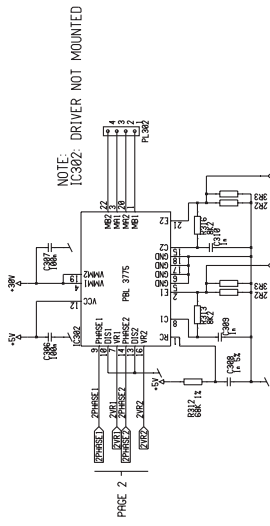


PRODUCT		ENG.	
MINI MAC WASH		Martin Professional A/S	
REVISION		PAGE 1 OF 4	
DRAWN BY BH		DATE 30/11/99 TIME 13:26	
NAME			
62000057 - 62090051 - 01001512			



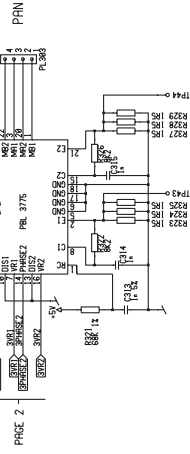
PAGE 2

COLOR



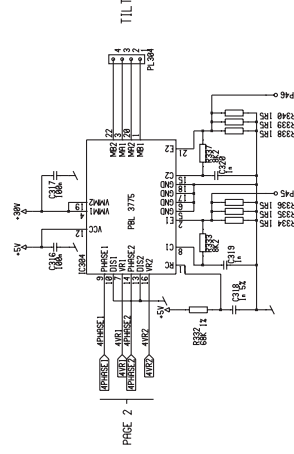
PAGE 2

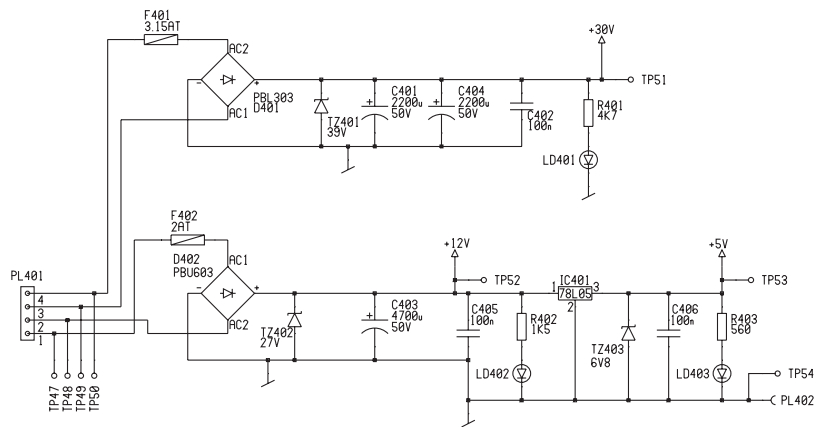
NOTE: IC302: DRIVER NOT MOUNTED



PAGE 2

TILT





PRODUCT		ENG.	
MINI MAC WASH		Martin Professional A/S	
REVISION	PAGE	4	OF 4
DRAWN BY BH			
NAME	DATE	TIME	
62000057 - 62090051 - 01001512	30/11/99	13:26	